

ECODRY50 SUMI56 H

TECHNICAL DATA SHEET

revestech®

Product

Siphonic drain with horizontal outlet and waterproofing membrane **ECODRY80** heat-sealed to the drain.

CE MARKED MEMBRANE

1170/014-DdP-2022/09/09
EN 13956:2012



Features	Test Method	Unit	Tolerance	Value
Weight	EN 1849-2	g/m ²	MDV: -5 % and + 10 %	335
Thickness	EN 1849-2	mm	MDV: -5 % and + 10 %	0,52
Water tightness	EN 1928 Meth. B			PASS
Tensile strength	EN 12311-2 Meth. A	N/50 mm	MLV L ≥ 450 MLV T ≥ 150	L = 450 T = 150
Elongation	EN 12311-2 Meth. A	%	MLV L ≥ 25 MLV T ≥ 200	L = 25 T = 200
Overlap resistance	EN 12317-2	N/50 mm	MLV ≥ 600	600
Impact resistance	EN 12691	mm	MLV T ≥ 200	200
Static load resistance	EN 12730 Meth. B	Kg	MLV ≥ 20	20
Pliability at low temperature	EN 495-5	°C	MLV ≥ 40	-40
Reaction to fire	EN 13501-1	Euroclases		E
Length	EN 1848-2	cm	MDV: -0 % and +5 %	75
Width	EN 1848-2	cm	MDV: -0,5 % and + 1 %	75
Visible defects	EN 1850-2			PASS
Straightness	EN 1848-2	mm	MLV g ≤ 50	50
Flatness	EN 1848-2	mm	MLV p ≤ 10	10
Dimensional stability	EN 1107-02	%	MLV L ≤ -0,2 MLV T ≤ -0,7	L = -0,2 T = -0,7

MLV: Manufacturer's Limiting Value. MDV: Manufacturer's Declared Value.

Storage

Store in original unopened packing, protect from moisture, in place properly ventilated at a maximum temperature of 30°C. Protect from direct sunlight.

Waste/Grid	Test Method	Unit	Value
Flow rate	UNE-EN 1253:2015	l/s	See next page
Grid dimensions		mm	See next page
Effects of chemicals in waste / grid / channel	Stable to products normally used with ceramic coatings, cleaning and maintenance.		
Composition	Waste: PVC Grid: polypropylene		

Bond membrane/waste: heat-sealed

responsible
waterproofing

ECODRY50 SUMI56 H

TECHNICAL DATA SHEET

revestech®



Horizontal outlet \varnothing 32–40
grate 10×10 cm

596352032

ECODRY50 SUMI56 100 H

Box 1 ud.
Membrane 75 cm x 75 cm

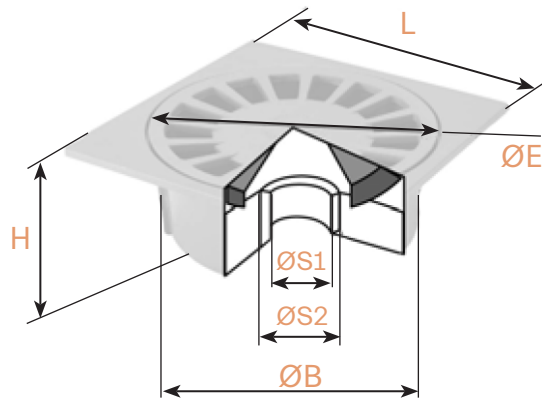
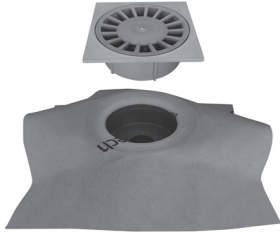
Horizontal outlet \varnothing 90–110
grate 20×20 cm

596352063

ECODRY50 SUMI56 200 H

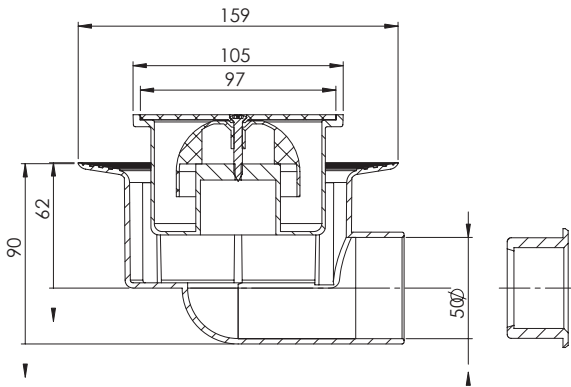
Box 1 ud.
Membrane 75 cm x 75 cm

ECODRY80 SUMI56 H GRATE

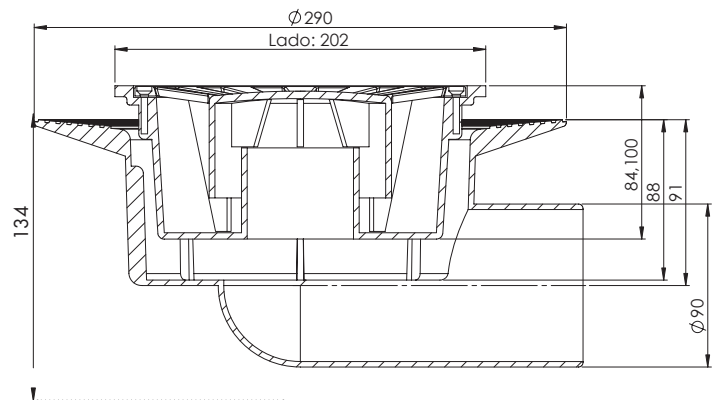


	\varnothing E (mm)	L (mm)	OUTLET			H	M/H
			\varnothing S1 (mm)	\varnothing S2 (mm)	\varnothing B (mm)		
ECODRY80 SUMI56 100 H	87	100×100	32	40	90	48	H
ECODRY80 SUMI56 200 H	180	200×200	75	75	188	88	H

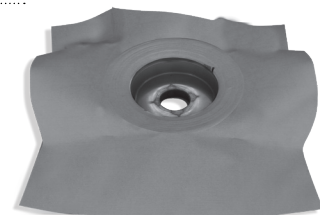
ECODRY80 SUMI56 100H DRAIN



ECODRY80 SUMI56 200 H DRAIN



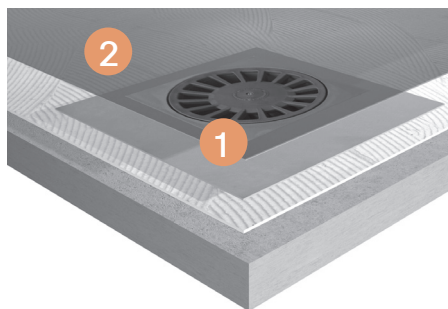
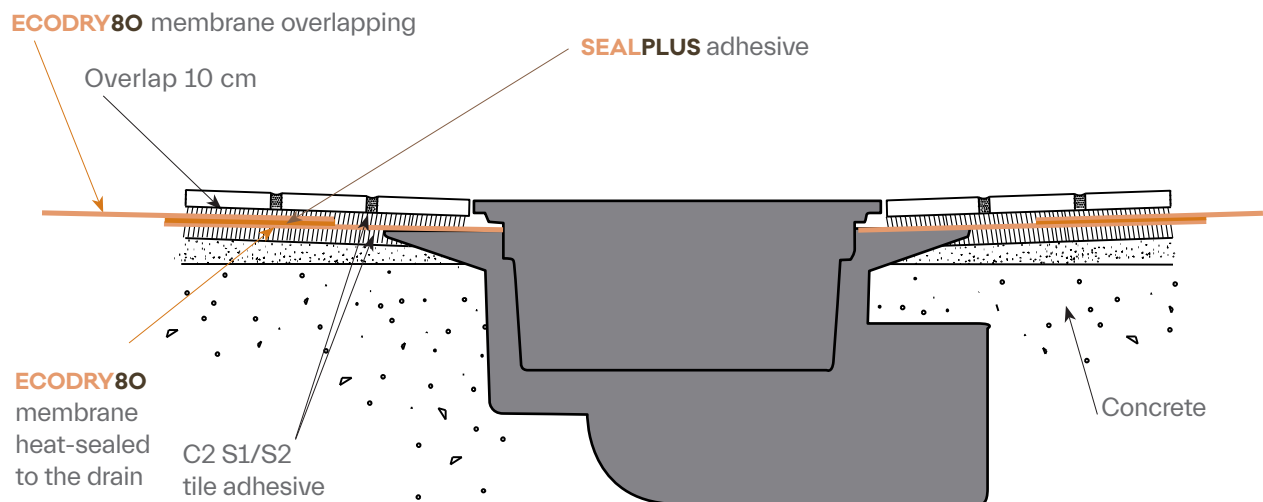
	OUTLET (mm)	FLOW RATE
		Liter/second
ECODRY80 SUMI56 100 H	\varnothing 50	0,6
ECODRY80 SUMI56 200 V	\varnothing 90	0,9



responsible
waterproofing

WATERPROOFING SCHEME **ECODRY80 SUMI56 H DRAIN**

For a perfect finish, preferably install the **ECODRY80 SUMI56 H** drain with a heat-sealed membrane of 75 cm x 75 cm, with the membranes adhered by **SEALPLUS** adhesive with a minimum overlap of 10 cm.



1. **ECODRY80 SUMI56 H**
DRAIN with heat-sealed membrane
2. **ECODRY80** membrane overlapping